

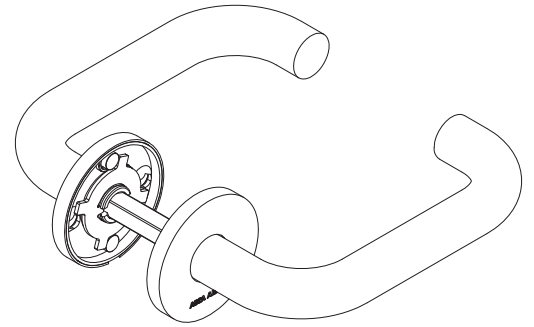
# AHW500UU00

## AHW500UU00

- Set of U shape handle on round rosette

## Characteristic

- U shaped door handle  $\varnothing 19\text{mm}$
- Circlips on rose with inner spring,
- Stainless steel AISI 304 tube,
- 8 mm HESO spindle with a selfdrilling M6 screws
- Invisible fixing by M4 screws and bushes
- Mounting points distance 38 mm
- 200 000 cycles

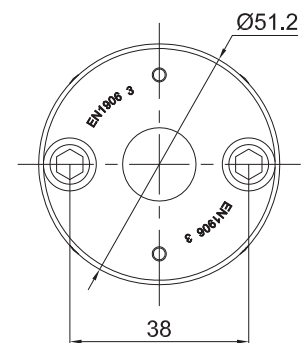
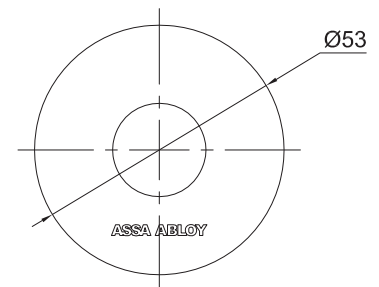
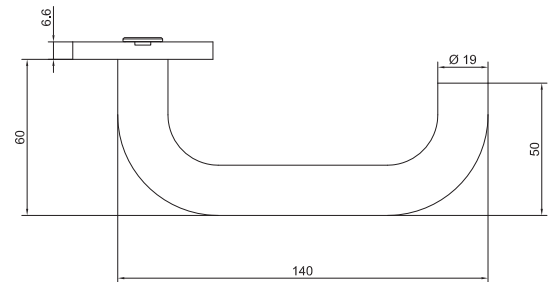


## Accessories

- Various spindle

## Classification EN1906:2010

1	2	3	4	5	6	7	8
Category of use	Durability	Door mass and closing force	Suitability for use on fire/smoke doors	Safety	Corrosion resistance	Security and drill resistance	Field of door application
3	7	n/a	B	0	3	0	B



## description

set of "U" form handles  $\varnothing 19\text{ mm}$  on round escutcheon  $\varnothing 53 \times 6,5\text{mm}$

## ordering number

AHW500UU00

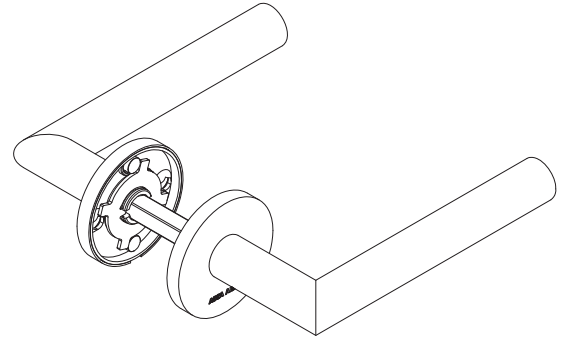
# AHW500LL00

## AHW500LL00

- Set of L “90” shape handle on round rosette

## Characteristic

- L “90” shaped door handle 19mm
- Circlips on rose with inner spring,
- stainless steel AISI 304 tube,
- 8 mm HESO spindle with a selfdrilling M6 screws
- Invisible fixing by M4 screws and bushes
- Mounting points distance 38 mm
- 200 000 cycles

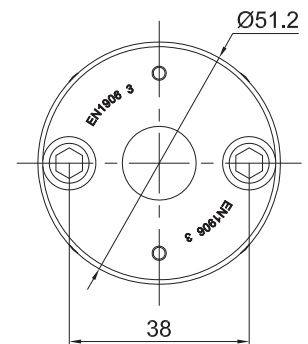
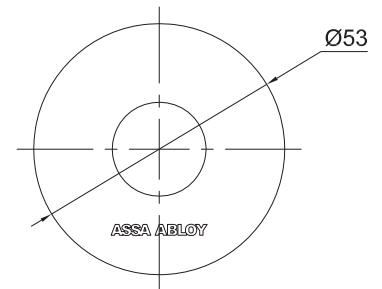
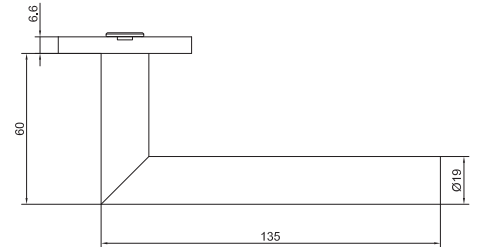


## Accessories

- Various spindle

## Classification EN1906:2010

1	2	3	4	5	6	7	8
Category of use	Durability	Door mass and closing force	Suitability for use on fire/smoke doors	Safety	Corrosion resistance	Security and drill resistance	Field of door application
<b>3</b>	<b>7</b>	<b>n/a</b>	<b>B</b>	<b>0</b>	<b>3</b>	<b>0</b>	<b>B</b>



## description

set of “L 90” form handles Ø 19 mm on round escutcheon Ø 53 x 6,5mm

## ordering number

AHW500LL00

# AHW500UK00

## AHW500UK00

- Set of U shape handle and fixed knob on round rosette, handed

## Characteristic

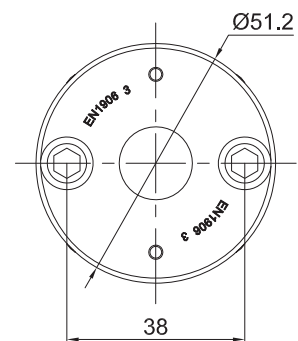
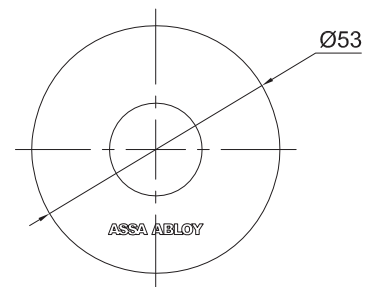
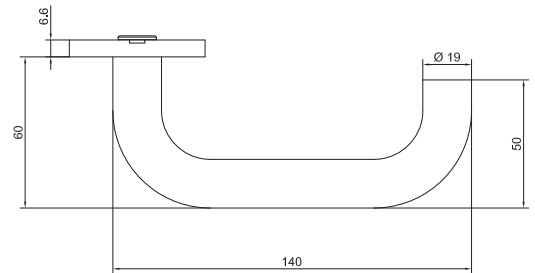
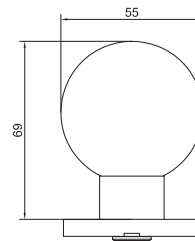
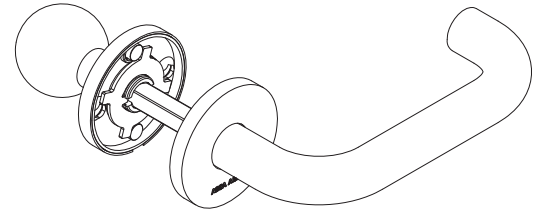
- U shaped door handle  $\varnothing 19\text{mm}$  and fixed knob  $\varnothing 55\text{mm}$
- Circlips on rose with inner spring,
- Stainless steel AISI 304 tube,
- 8 mm HESO spindle with a selfdrilling M6 screws
- Invisible fixing by M4 screws and bushes
- Mounting points distance 38mm
- 200 000 cycles

## Accessories

- Various spindle

## Classification EN1906:2010

1	2	3	4	5	6	7	8
Category of use	Durability	Door mass and closing force	Suitability for use on fire/smoke doors	Safety	Corrosion resistance	Security and drill resistance	Field of door application
<b>3</b>	<b>7</b>	<b>n/a</b>	<b>B</b>	<b>0</b>	<b>3</b>	<b>0</b>	<b>B</b>



## description

set of "U" form handle and spherical fix knob on round escutcheon  $\varnothing 53 \times 6,5\text{mm}$  - left hand

## ordering number

AHW500UK00/L

set of "U" form handle and spherical fix knob on round escutcheon  $\varnothing 53 \times 6,5\text{mm}$  - right hand

AHW500UK00/R

# AHW500LK00

## AHW500LK00

- Set of L “90” shape handle and fixed knob on round rosette, handed

## Characteristic

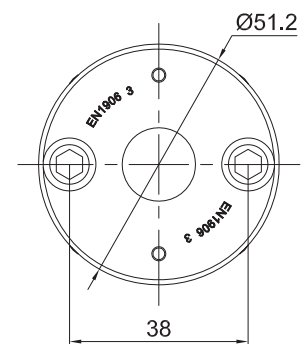
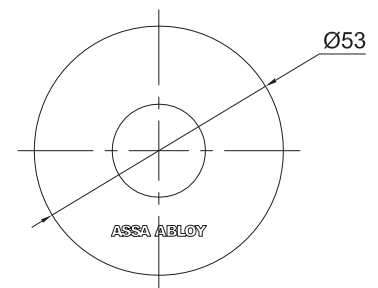
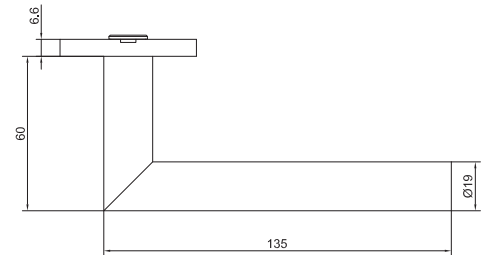
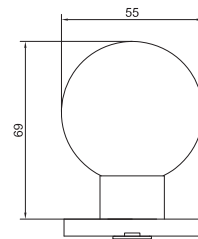
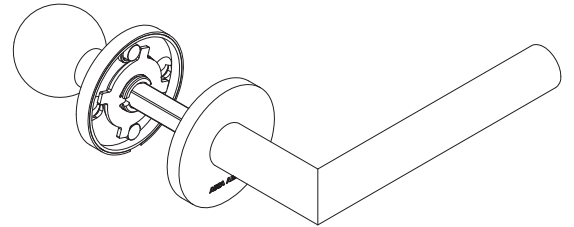
- L “90” shaped door handle  $\varnothing 19\text{mm}$  and fixed knob  $\varnothing 55\text{mm}$
- Circlips on rose with inner vspring,
- Stainless steel AISI 304 tube,
- 8 mm HESO spindle with a selfdrilling M6 screws
- Invisible fixing by M4 screws and bushes
- Mounting points distance 38 mm
- 200 000 cycles

## Accessories

- Various spindle

## Classification EN1906:2010

1	2	3	4	5	6	7	8
Category of use	Durability	Door mass and closing force	Suitability for use on fire/smoke doors	Safety	Corrosion resistance	Security and drill resistance	Field of door application
<b>3</b>	<b>7</b>	<b>n/a</b>	<b>B</b>	<b>0</b>	<b>3</b>	<b>0</b>	<b>B</b>



## description

set of “L 90” form handle and spherical fix knob on round escutcheon  $\varnothing 53 \times 6,5\text{mm}$  - left hand

## ordering number

AHW500LK00/L

set of “U” form handle and spherical fix knob on round escutcheon  $\varnothing 53 \times 6,5\text{mm}$  - right hand

AHW500UK00/R

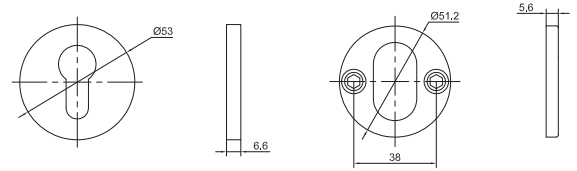
# AHW55000 series

## AHW55000PZ

- Set of cylinder escutcheons

### Characteristic

- Stainless steel AISI 304 cover
- Invisible fixing by M4 screws and bushes
- Mounting points distance 38mm

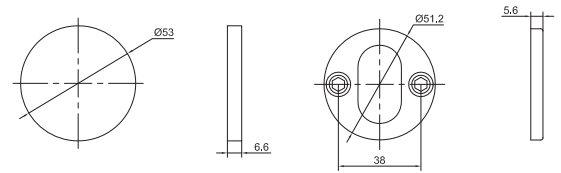


## AHW55000BL

- Set of blind escutcheons

### Characteristic

- Stainless steel AISI 304 cover
- Invisible fixing by M4 screws and bushes
- Mounting points distance 38mm

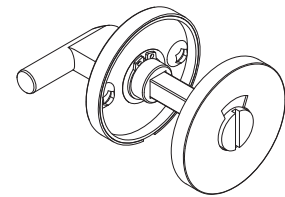


## AHW55000WC

- Set of toilet escutcheons

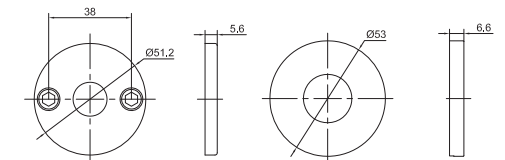
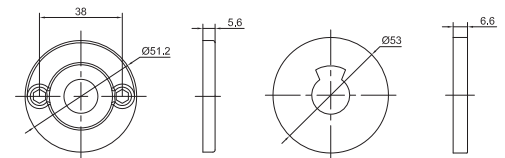
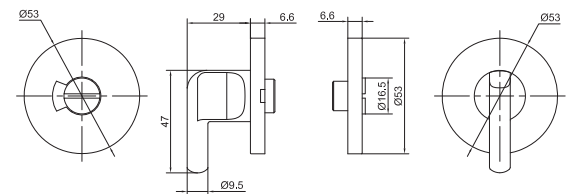
### Characteristic

- Stainless steel AISI 304 cover
- Invisible fixing by M4 screws and bushes
- Mounting points distance 38mm
- Built in close/open indicator



### Classification EN1906:2010

1	2	3	4	5	6	7	8
Category of use	Durability	Door mass and closing force	Suitability for use on fire/smoke doors	Safety	Corrosion resistance	Security and drill resistance	Field of door application
<b>3</b>	<b>7</b>	<b>n/a</b>	<b>B</b>	<b>0</b>	<b>3</b>	<b>0</b>	<b>B</b>



description	ordering number
set of cylinder escutcheon Ø 53 x 6,5mm	AHW55000PZ
blind escutcheon Ø 53 x 6,5mm	AHW55000BL
set of WC escutcheon Ø 53 x 6,5mm; L=47mm	AHW55000WC