

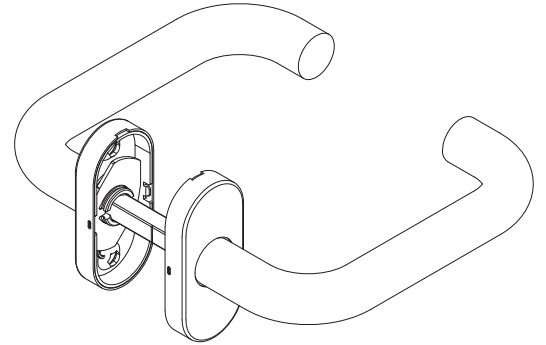
AHW600UU00

AHW600UU00

- Set of U shape handle on oval rosette

Characteristic

- U shaped door handle $\varnothing 19\text{mm}$
- Circlips on rose with inner spring,
- Stainless steel AISI 304 tube,
- 8 mm HESO spindle with a self-drilling M6 screws
- Invisible fixing by M4 screws and bushes
- Mounting points distance 50mm
- 200 000 cycles

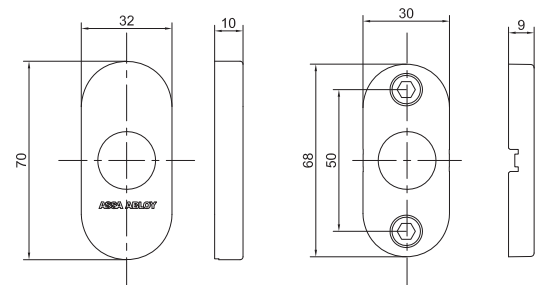
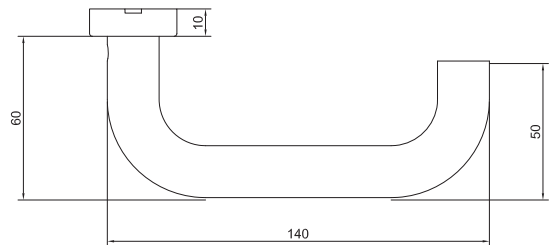
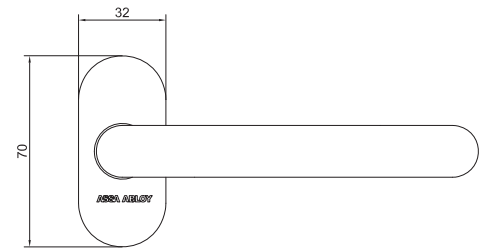


Accessories

- Various spindle

Classification EN1906:2010

1	2	3	4	5	6	7	8
Category of use	Durability	Door mass and closing force	Suitability for use on fire/smoke doors	Safety	Corrosion resistance	Security and drill resistance	Field of door application
3	7	n/a	B	0	3	0	B



description

set of "U" form handles $\varnothing 19\text{ mm}$ on oval escutcheon $\varnothing 70 \times 32.5 \times 10\text{ mm}$

ordering number

AHW600UU00

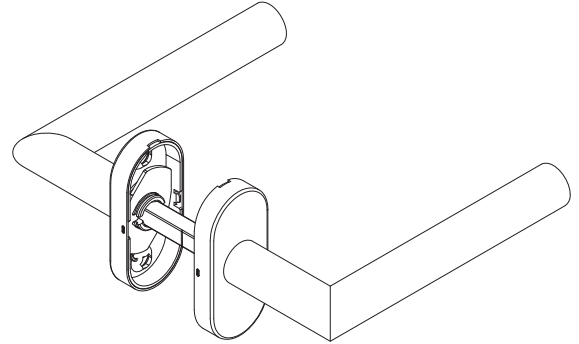
AHW600LL00

AHW600LL00

- Set of L “90” shape handle on oval rosette

Characteristic

- L “90” shaped door handle $\varnothing 19\text{mm}$
- Circlips on rose with inner spring,
- Stainless steel AISI 304 tube,
- 8 mm HESO spindle with a self-drilling M6 screws
- Invisible fixing by M4 screws and bushes
- Mounting points distance 50mm
- 200 000 cycles

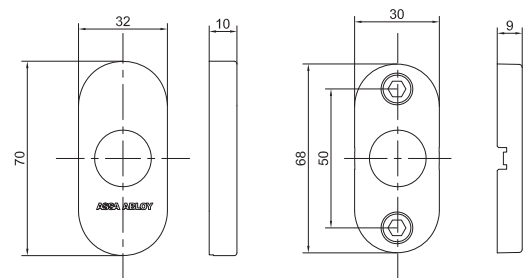
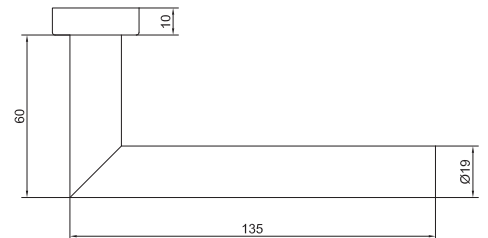
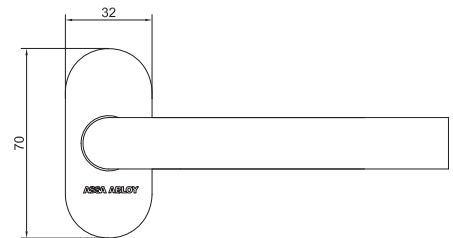


Accessories

- Various spindle

Classification EN1906:2010

1	2	3	4	5	6	7	8
Category of use	Durability	Door mass and closing force	Suitability for use on fire/smoke doors	Safety	Corrosion resistance	Security and drill resistance	Field of door application
3	7	n/a	B	0	3	0	B



description

set of “L 90” form handles $\varnothing 19\text{ mm}$ on oval escutcheon $\varnothing 70 \times 32.5 \times 10\text{ mm}$

ordering number

AHW600LL00

AHW600FF00

AHW600FF00

- Set of U folded shape handles on oval rosette

Characteristic

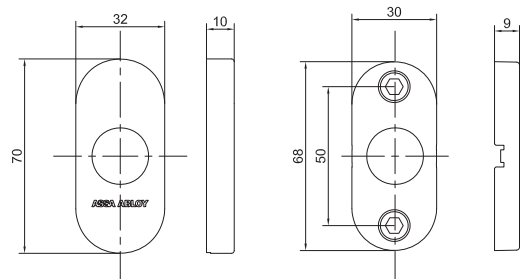
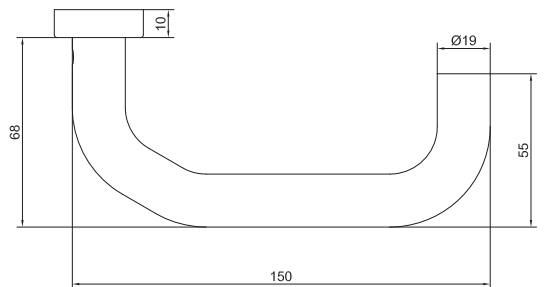
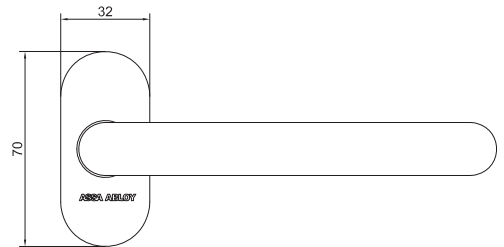
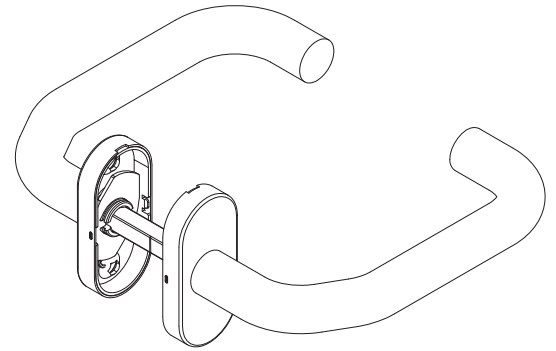
- U folded shape door handle $\varnothing 19\text{mm}$
- Circlips on rose with inner spring,
- Stainless steel AISI 304 tube,
- 8 mm HESO spindle with a self-drilling M6 screws
- Invisible fixing by M4 screws and bushes
- Mounting points distance 50mm
- 200 000 cycles

Accessories

- Various spindle

Classification EN1906:2010

1	2	3	4	5	6	7	8
Category of use	Durability	Door mass and closing force	Suitability for use on fire/smoke doors	Safety	Corrosion resistance	Security and drill resistance	Field of door application
3	7	n/a	B	0	3	0	B



description

set of "U folded" form handles $\varnothing 19\text{ mm}$ on oval escutcheon $\varnothing 70 \times 32.5 \times 10\text{ mm}$

ordering number

AHW600FF00

AHW600FK00

AHW600FK00

- Set of U folded shape handle and spherical knob on oval rosette, handed

Characteristic

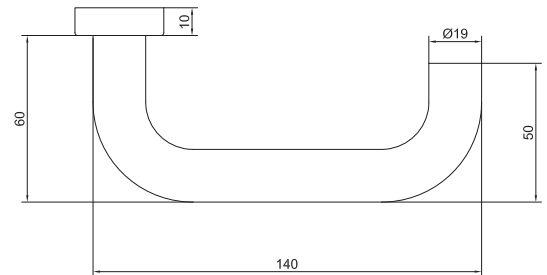
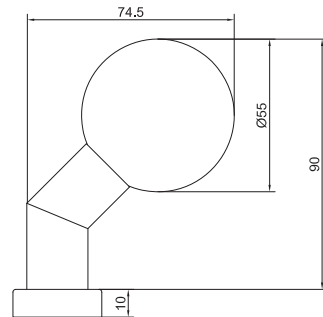
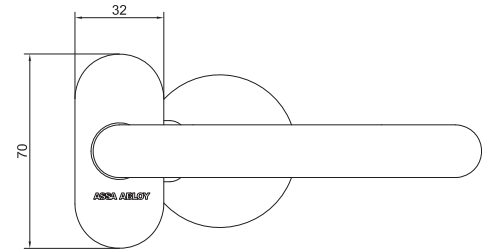
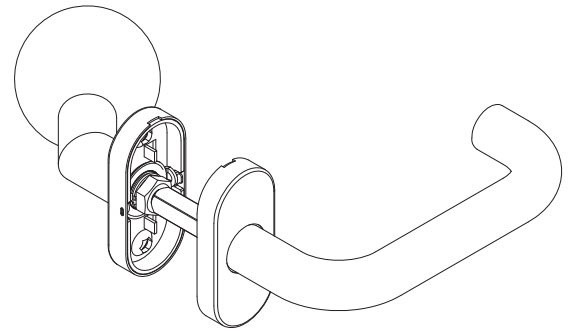
- U folded shape door handle $\varnothing 19\text{mm}$ and spherical knob $\varnothing 55\text{ mm}$
- Circlips on rose with inner spring,
- Stainless steel AISI 304 tube,
- 8 mm HESO spindle with a self-drilling M6 screws
- Invisible fixing by M4 screws and bushes
- Mounting points distance 50mm
- 200 000 cycles

Accessories

- Various spindle

Classification EN1906:2010

1	2	3	4	5	6	7	8
Category of use	Durability	Door mass and closing force	Suitability for use on fire/smoke doors	Safety	Corrosion resistance	Security and drill resistance	Field of door application
3	7	n/a	B	0	3	0	B



description

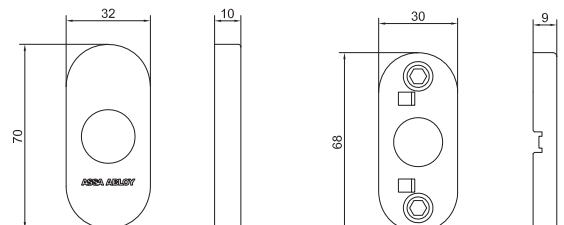
set of "U folded" form handle and spherical knob on oval escutcheon $\varnothing 70 \times 32 \times 10\text{ mm}$ - left hand

ordering number

AHW600FK00/L

set of "U folded" form handle and spherical knob on oval escutcheon $\varnothing 70 \times 32 \times 10\text{ mm}$ - right hand

AHW600FK00/R



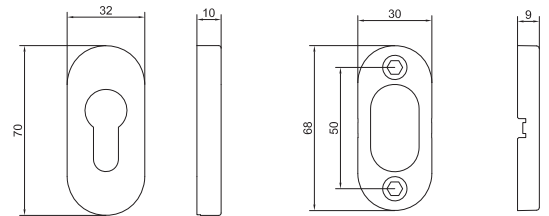
AHW66000 series

AHW66000PZ

- Set of cylinder oval escutcheons

Characteristic

- Stainless steel AISI 304 cover
- Invisible fixing by M4 screws and bushes
- Mounting points distance 50mm

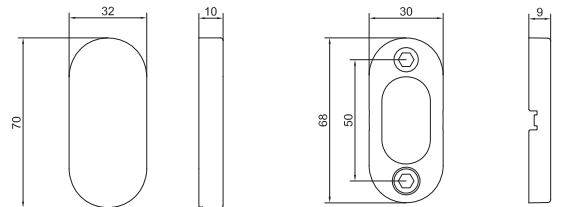


AHW66000BL

- Set of blind escutcheons

Characteristic

- Stainless steel AISI 304 cover
- Invisible fixing by M4 screws and bushes
- Mounting points distance 38mm



Classification EN1906:2010

1	2	3	4	5	6	7	8
Category of use	Durability	Door mass and closing force	Suitability for use on fire/smoke doors	Safety	Corrosion resistance	Security and drill resistance	Field of door application
3	7	n/a	B	0	3	0	B

description	ordering number
set of cylinder escutcheon Ø 70 x 32 x 10 mm	AHW66000PZ
blind escutcheon Ø 70 x 32 x 10 mm	AHW66000BL