

OT 200

Fire rated



Specification

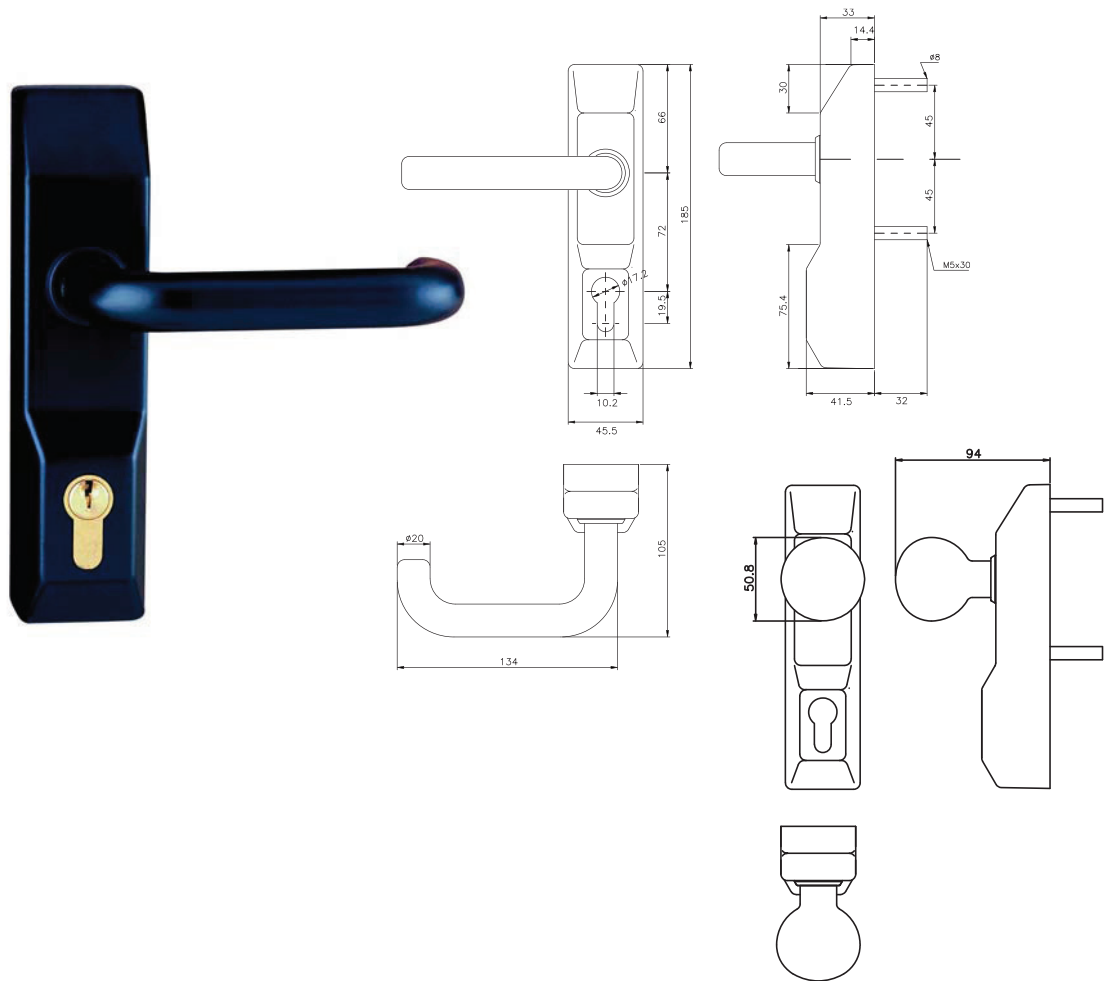
- Outside trims rim type
- Same design in various options
- With or without half DIN cylinder

Finishes

- PL: silver
- NE: black
- SA: s/steel effect

Accessories

- Half DIN cylinder 30x10 mm



Ordering numbers:

PED/A/210/NE	MMPS300NEAA	MODULAR HANDLE NO CYLINDER BLACK INCLUDING 8MM SQUARE SPINDLE
PED/A/210/PL	MMPS300PLAA	MODULAR HANDLE NO CYLINDER SILVER INCLUDING 8MM SQUARE SPINDLE INCLUDING 8MM SQUARE SPINDLE
PED/A/210/SA	MMPS300SAAA	MODULAR HANDLE NO CYLINDER SATIN INCLUDING 8MM SQUARE SPINDLE INCLUDING 8MM SQUARE SPINDLE
PED/A/220/NE	MMPS2SCNEAA	MODULAR HANDLE WITH CYLINDER HOLE BLACK INCLUDING 8MM SQUARE SPINDLE
PED/A/220/PL	MMPS2SCPLAA	MODULAR HANDLE WITH CYLINDER HOLE SILVER INCLUDING 8MM SQUARE SPINDLE
PED/A/220/SA	MMPS2SCSAAA	MODULAR HANDLE WITH CYLINDER HOLE SATIN INCLUDING 8MM SQUARE SPINDLE
PED/A/230/NE	MMPP2SCNEAA	MODULAR SWING PULL KNOB WITH CYLINDER HOLE BLACK INCLUDING 8MM SQUARE SPINDLE
PED/A/230/PL	MMPP2SCPLAA	MODULAR SWING PULL KNOB WITH CYLINDER HOLE SILVER INCLUDING 8MM SQUARE SPINDLE
PED/A/230/SA	MMPP2SCSAAA	MODULAR SWING PULL KNOB WITH CYLINDER HOLE SATIN INCLUDING 8MM SQUARE SPINDLE