

BIG RAPID

CERNIERA PER PORTE REGISTRABILE CON PIASTRINA

CERNIERA PER PORTE REGISTRABILE CON PIASTRINA | ADJUSTABLE DOOR HINGE WITH PLATE
PAUMELLE POUR PORTES REGLABLE AVEC PLAQUE | BISAGRA PARA PUERTAS REGULABLE CON PLACA



Cerniera in alluminio estruso; perno, viti e grani in acciaio inox; boccole in nylon e zama; piastrine in zama.
BIG RAPID ONE: cerniera con piastrine ad infilare.
BIG RAPID PLUS: cerniera con piastrine a montaggio rapido.
BIG RAPID TWIN: cerniera con piastrina lato anta ad infilare e piastrina lato telaio ad aggancio rapido.



Extruded aluminum hinge; stainless steel pin, screws and setscrews; nylon and zamak bushings; zamak plates.
BIG RAPID ONE: Hinge with threaded plates.
BIG RAPID PLUS: Hinge with fast mounting plates.
BIG RAPID TWIN: Hinge with threaded shutter-side plates and fast mounting frame-side plates.



Paumelle en aluminium extrudé; pivot, vis et grains en acier inox; bagues en nylon et zamak plaque en zamak.
BIG RAPID ONE: paumelle avec plaques à enfiler.
BIG RAPID PLUS: paumelle avec plaques à montage rapide.
BIG RAPID TWIN: paumelle avec plaque côté ouvrant à enfiler et plaque côté dormant à accrochage rapide.

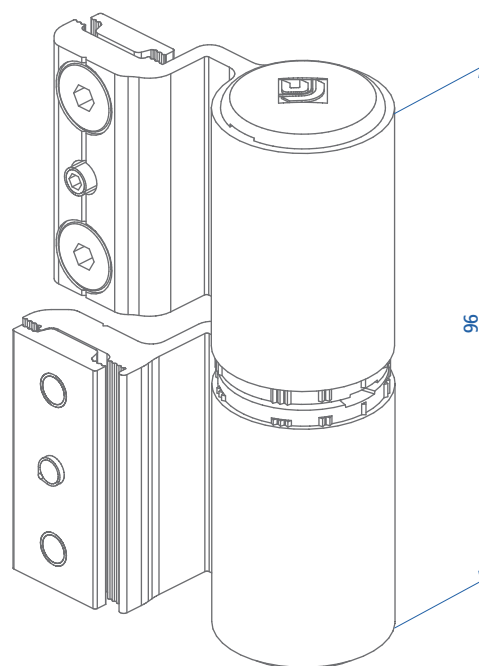


Bisagra de aluminio extruido; pernio, tornillos y prisioneros de acero inox; casquillos de nylon y zamac; placas de zamac.
BIG RAPID ONE: bisagra con placas a ensartar.
BIG RAPID PLUS: bisagra con placas de montaje rápido.
BIG RAPID TWIN: bisagra con placa de lado de la hoja a ensartar y placa del lado del marco de enganche rápido.

CONFEZIONAMENTO E FINITURE | PACKAGING AND FINISHES | CONDITIONNEMENT ET FINITIONS | EMBALAJE Y ACABADOS

ART.	TUTTI ALL TOUS TODOS
Imballo Package Conditionnement Embalaje	2 Pz
Finiture disponibili Available finishes Finitions disponibles Acabados disponibles	1 2 3 4 5 6

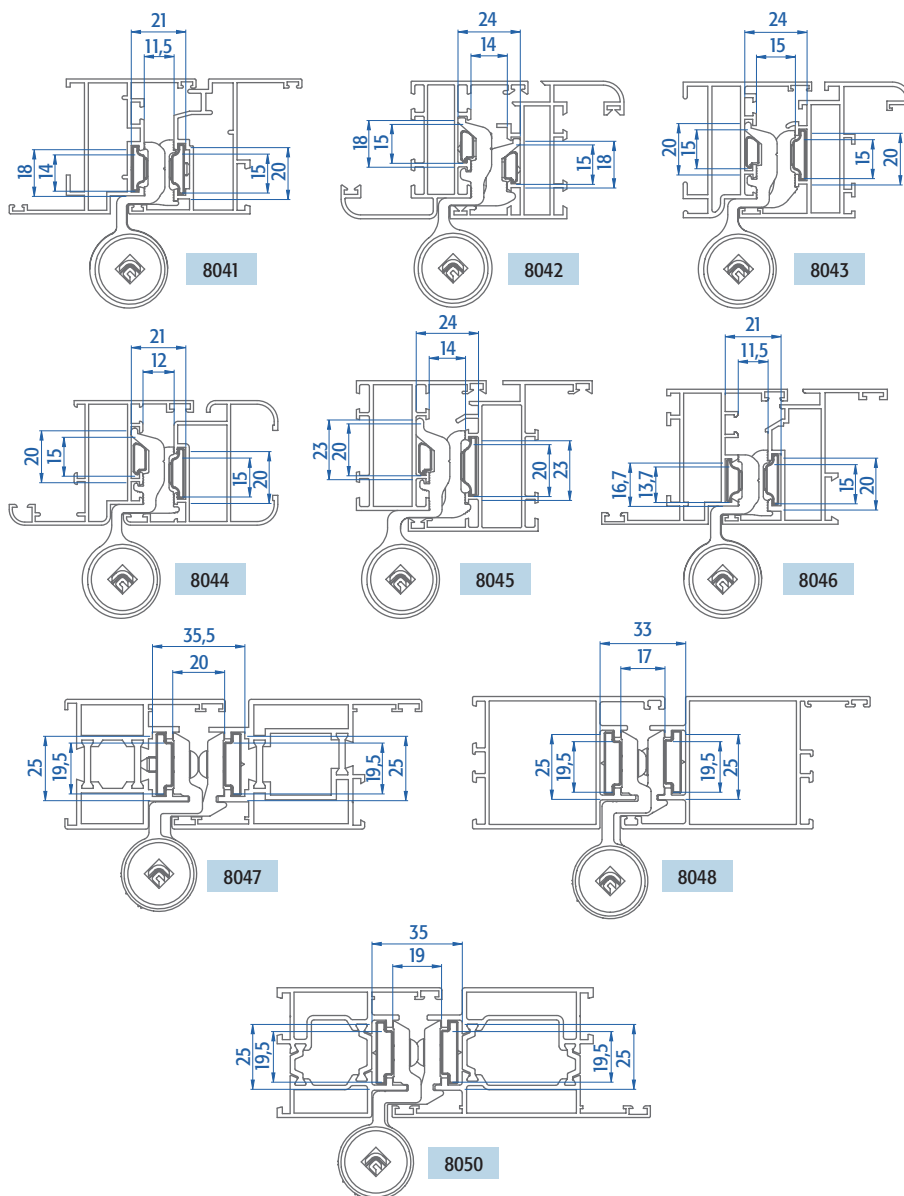
ESTRUSORE EXTRUDER	SERIE SERIES	VERSIONE BASE BASIC VERSION	VERSIONE TOP TOP VERSION	VERSIONE VERSION
	Camera Europea Euro Groove	8041.1	8041.11	BIG RAPID ONE
ALCAN	Abithal Point	8044.1	8044.11	BIG RAPID TWIN
ALL.CO	All.co 5 sorm	8043.1	8043.11	BIG RAPID TWIN
CLL	Tecno 50	8042.1	8042.11	BIG RAPID PLUS
	Tecno 50 TT	8042.1	8042.11	BIG RAPID PLUS
	Tecno 60 TT	8042.1	8042.11	BIG RAPID PLUS
	Tecno 68 TT	8042.1	8042.11	BIG RAPID PLUS
DEMAL	Prestige 48	8043.1	8043.11	BIG RAPID TWIN
EKU Sistemi (Gruppo Profilati)	Sistema 1 sorm.	8044.1	8044.11	BIG RAPID TWIN
INDINVEST	Wing 40	8044.1	8044.11	BIG RAPID TWIN
METRA	NC 45 int.	8046.1	8046.11	BIG RAPID ONE
	NC 45 STH	8046.1	8046.11	BIG RAPID ONE
	NC 68 STH	8046.1	8046.11	BIG RAPID ONE
	Nuovo NC 40 sorm.	8044.1	8044.11	BIG RAPID TWIN
PONZIO	Newtec 50	8042.1	8042.11	BIG RAPID PLUS
	Newtec 52 TT	8042.1	8042.11	BIG RAPID PLUS
	Newtec 60 TT	8042.1	8042.11	BIG RAPID PLUS
	Newtec 68 TT	8042.1	8042.11	BIG RAPID PLUS
SAPA	Erre 40	8042.1	8042.11	BIG RAPID PLUS
	Erre 50	8045.1	8045.11	BIG RAPID TWIN
	Erre 50 TT b.c.	8042.1	8042.11	BIG RAPID PLUS



CONTINUA | CONTINUES | CONTINUE | CONTINÚA >

< SEQUE DALLA PAGINA PRECEDENTE | CONTINUED FROM PREVIOUS PAGE | SUIT DE LA PAGE PRECEDENTE | CONTINÚA DE LA PÁGINA ANTERIOR

ESTRUSORE EXTRUDER	SERIE SERIES	VERSIONE BASE BASIC VERSION	VERSIONE TOP TOP VERSION	VERSIONE VERSION
SAPA	Erre 60 TT	8045.1	8045.11	BIG RAPID TWIN
	Erre 62 TT	8042.1	8042.11	BIG RAPID PLUS
	Erre 72 TT	8042.1	8042.11	BIG RAPID PLUS
TOMA	Atlantis 40	8044.1	8044.11	BIG RAPID TWIN
VARIE VARIOUS	Aliplast	8048.1	8048.11	BIG RAPID ONE
	NT 60 PT	8048.1	8048.11	BIG RAPID ONE
	MB59S	8050.1	8050.11	BIG RAPID ONE
	Yaval	8047.1	8047.11	BIG RAPID ONE



CONTINUA | CONTINUES | CONTINUE | CONTINÚA >